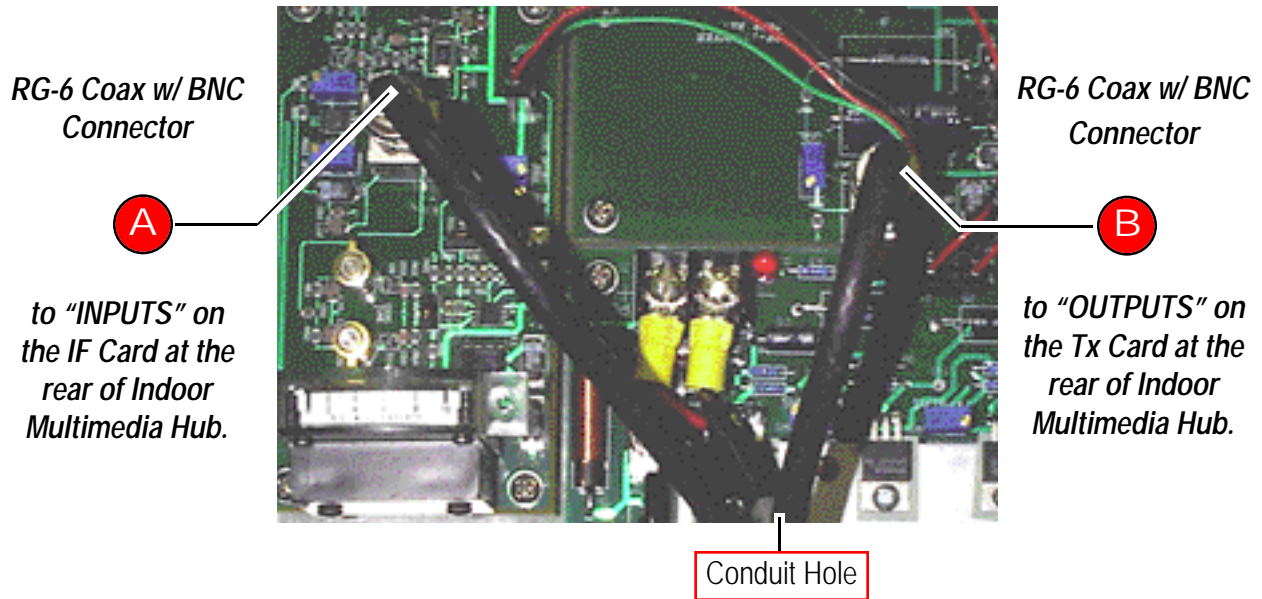


### IN THIS CHAPTER...

- 1-( Signal Cable Connections between the Radio Head and the Multimedia Hub
- 2-( Power Cable Connections between the Radio Head and the Multimedia Hub
- 3-( Powering Your Etherwave Radio Link

## Signal Cable Connections between the Radio Head and Multimedia Hub

### Signal Connections In the Radio Head

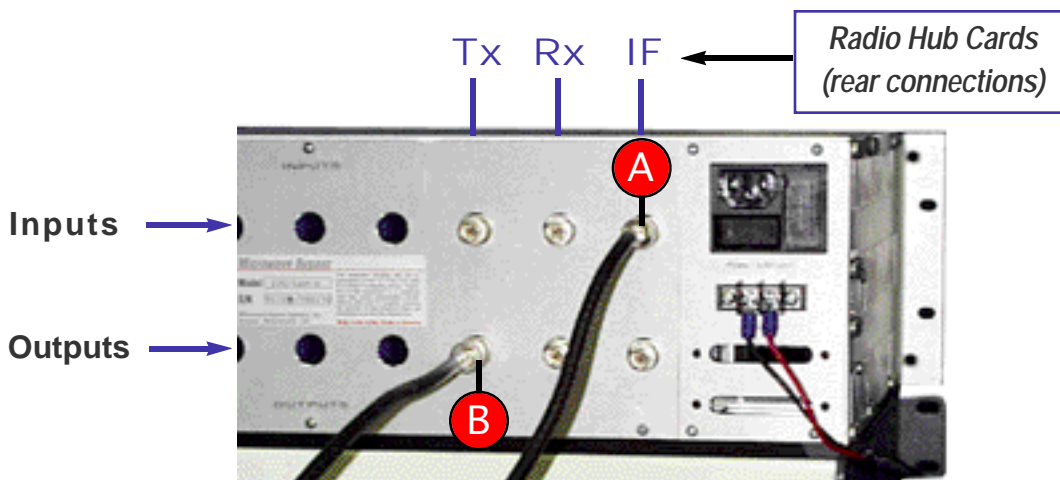


### Cabling Instructions (1 of 2)

The signal connections between the outdoor Radio Head and Multimedia Hub are made with RG-6 coaxial cables with BNC plug-type connectors. Crimp the BNC connectors onto the coax ends and test ("buzz") the cables with a volt meter to ensure continuity. Make sure the connectors are TIGHT.

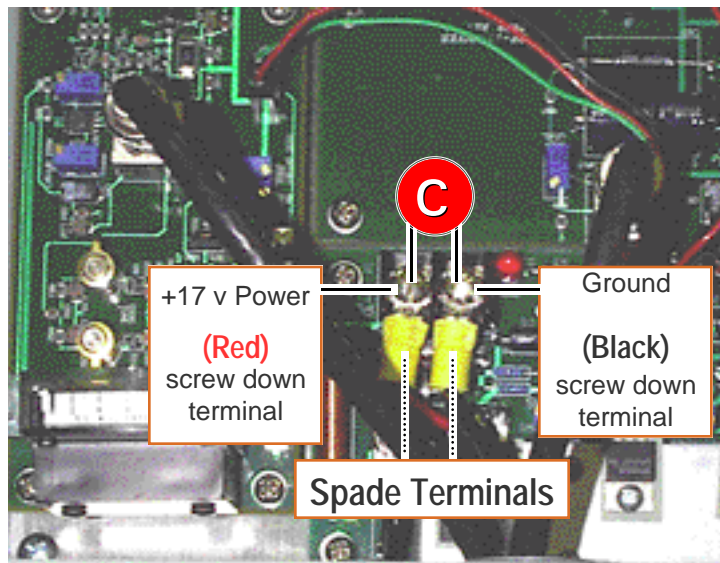
Make sure the Multimedia Hub cards are populated with the IFcard in the first slot (after the power supply module), Rx second and Tx third. Then use the cables to connect "a" to "a" and "b" to "b" as the photographs on this page indicate.

### Signal Connections at the Rear of the Multimedia Hub



## Power Cable Connections between the Radio Head and Multimedia Hub

### Power Connections at the Radio Head



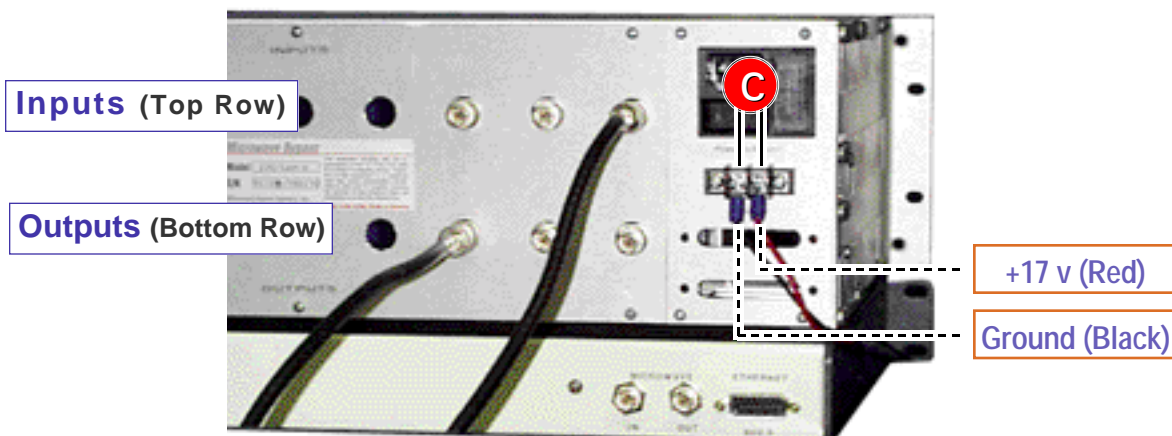
### Cabling Instructions (2 of 2)

The power connections between the Radio Head and Multimedia Hub are made with two wires from a two conductor 12 AWG (gauge) cable with 12 AWG spade terminals at each end. Crimp on the spade terminals and make sure they're on TIGHT.

Connect one color wire (red suggested) between the +17 v Power in the Radio Head and at the rear of the Multimedia Hub. Connect a second color wire (black suggested) between the "ground" in the Radio Head and the "ground" at the rear of the Multimedia Hub.

**NOTE:** PVC rated power cable is standard. Plenum is available on request.

### Power Connections at the Multimedia Hub





W A R N I N G !

## Before Powering Your Radio Link

---

**VISUALLY POINT THE ANTENNAS AT EACH OTHER PRIOR TO POWERING THE RADIOS**

While a rare occurrence, failure to aim the radio signal in the proper direction could cause errant signals from your radio to interfere with other radio devices in the area.

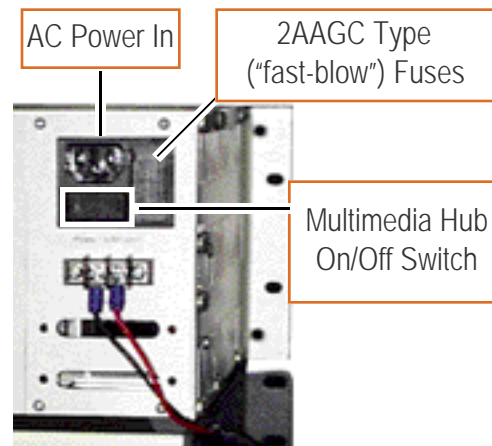
**READ ME!**

**PROTECT YOUR INVESTMENT FROM ELECTRICAL DAMAGE**

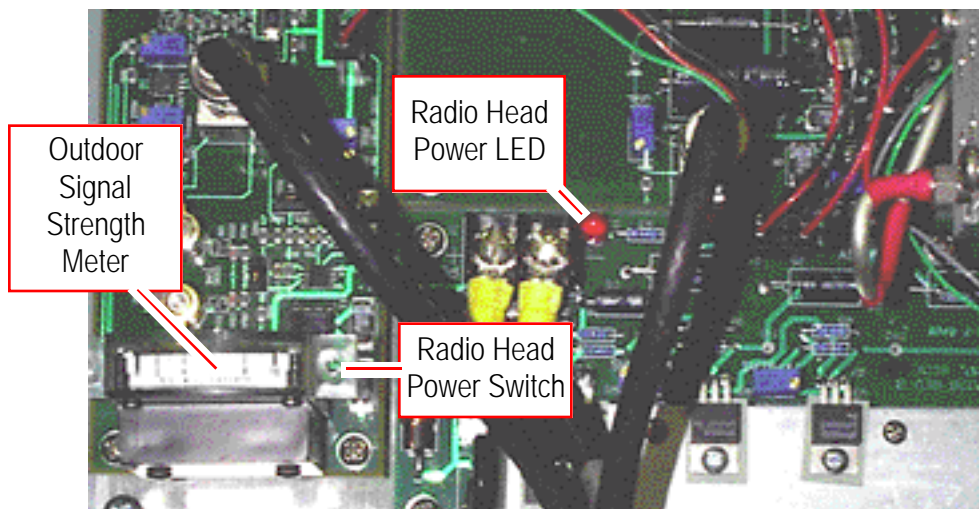
To protect against equipment damage, we recommend that you plug the Multimedia Hub into a heavy duty rated surge suppressor or a UPS\* **with line conditioning** to isolate your equipment from harmful brown-outs, electrical surges and spikes. This is especially advisable if you are using a generator at either end of the radio link.

\*Not all UPS's feature line conditioning.

### 1 Power Connections (at the Rear of the Multimedia Hub)



### 2 Power Connections (in the Radio Head)



### Powering the Multimedia Hub

First, connect the power cord to the "AC Power In" receptacle of the Multimedia Hub and plug the opposite end into an AC outlet. Next, power on the Hub by depressing the "On/Off Switch" to the left side "On" position.

### Powering the Outdoor Radio Head

Locate the power switch to the right of the Signal Strength Meter. Move the switch downward to the "On" position. The power LED should ignite, indicating the presence of power to the Radio Head.

Finally, check the Multimedia Hub to verify that the Power Supply and all three radio cards are getting power. If any of the Hub cards are not getting power, **turn the Hub's power switch off**. Unscrew the BNC nuts that hold the card to the Hub backplane and slide the card forward a couple of inches. Reinsert the card until it's flush with the other Hub cards and making a firm connection to the backplane. Power the Hub unit again. If the power lamp still fails to light, consult the "Troubleshooting" section of this manual.