

## MITEL NETWORKS

## 5055 | SIP Phone

**First Full-Featured  
SIP Business Phone**

The Mitel Networks™ 5055 SIP Phone is a full-featured, standards-based business telephone. It delivers toll-quality voice and session initiation protocol (SIP) services to the end user's desktop. As a versatile, highly interoperable phone, it can function as a standalone product connected to a service provider, as part of a Mitel Networks total IP-based business communication solution, or in PBX environments that support SIP.

**Flexible Enough For Multiple Environments**

The 5055 SIP Phone is a powerful Internet appliance, bringing the benefits of SIP to any desktop. As a SIP-compliant appliance, it is interoperable with all voice, data, video and Internet applications and services that are SIP-enabled, and provides full SIP protocol support. Phone features are fully program-mable by users; caller lists and call logs provide the convenience of mobile-phone-like features; full-featured call control brings users the familiar features of key telephone systems; and a built-in web server enables access to all these features via the web.

**Toll-Quality Voice**

Users of the 5055 SIP Phone enjoy toll-quality voice, as it features an adaptive jitter buffer that adjusts to changes in bandwidth, delay and background noise – users will

continue to enjoy excellent voice quality even when the underlying network experiences delays. The 5055 SIP Phone enables voice conferencing with full-duplex data transmission.

**SIP-Enabled Desktop**

As a business phone, the 5055 offers dual switched Ethernet ports and full support for desktop conference modules and headsets. With the 5055 SIP Phone, Mitel Networks fully SIP-enables businesses right to the desktop. The 5055 SIP Phone enables home-based users to reduce long-distance calling charges by making phone calls over the Internet, businesses to deliver SIP services to every desktop and boardroom, and carriers to more fully SIP-enable their customers.



it's about **YOU**

## 5055 SIP Phone Features and Specifications (V1.2)

### Programmable Feature Highlights

- Time and Date
- Speed-dial Buttons
- Individual Phone Book
- Redial from Logs and Last Call
- Easy Configuration, Both Menu-driven and Web-based
- Multi-user Support with Personal User Profiles

### Interface

- Multi-line LCD Alphanumeric Back-lit Display
- Volume Control
- Three Softkeys
- Speakerphone with Built-in Microphone and Speaker
- Headset and Conference Unit Support
- Configurable Dual 10/100 Mb Ethernet Ports

### Indicators

- Incoming Call Indication
- Dial Tone
- Call Progress Tone
- Call Waiting

### Call Control

- Call Hold
- Call Waiting
- Call Transfer (attended and unattended) to Another SIP Phone
- Third-party SIP-phone Conferencing
- Multiple Call (four-line)

- Caller ID
- On-hook Dialing
- In-band and Out-band DTMF

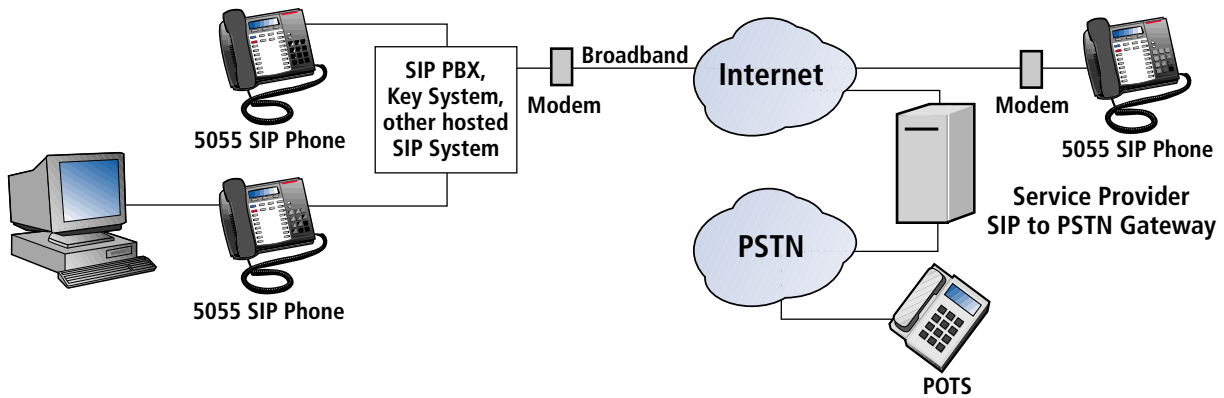
### Dialing

- By SIP URL
- By IP Address
- Last-number Redial
- Dial from Call Log/Phone Book/Web GUI

### Protocol Support

SIP	SIP-compliant with Call Control Extensions Digest Authentication
IP	Version 4 Version 4 ToS
Voice Codecs	G.729A G.711µLaw G.711ALaw
Other	*Firewall Traversal Behind Select Firewalls SNMP Support UDP (User Data Protocol) TCP (Transport Control Protocol) DHCP (Dynamic Host Configuration Protocol) DNS (Domain Name Server) TFTP (Trivial File Transfer Protocol) ARP (Address Resolution Protocol) RTP (Real-Time Protocol) ICMP (Internet Control Message Protocol) PPPoE (Point-to-Point Protocol over Ethernet) VLAN Tagging (802.1q) SNMP Support

\*See [www.mitel.com/sip/interop](http://www.mitel.com/sip/interop) for additional information.



**North America**  
(613) 592 2122  
1 800 648 3579

**Europe, Middle-East & Africa**  
Sales: 0870 9093030  
Int: +44 (0) 1291 430 000

**Latin America**  
(613) 592 2122  
1 800 648 3579

**Asia-Pacific**  
Tel: +852 2508 9780  
Fax: +852 2508 9232

[www.mitel.com](http://www.mitel.com)



M MITEL (design) is a registered trademark of Mitel Networks Corporation. All other products and services are the registered trademarks of their respective holders.

© Copyright 2003, Mitel Networks Corporation. All Rights Reserved.

GD 6294 PN 51004842, Rev. C