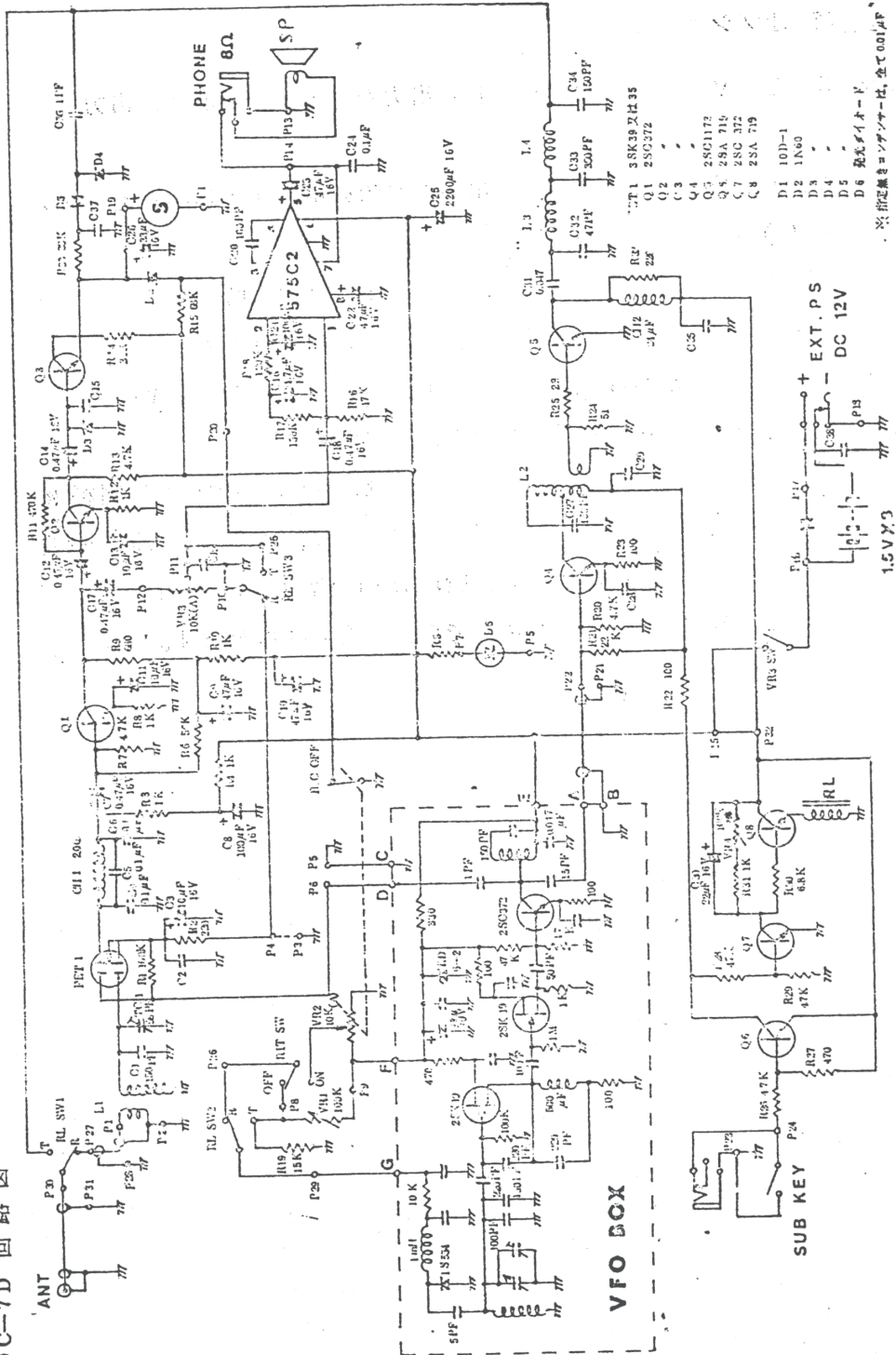


DC-7D 回路図



※指定無きコンデンサ等は、全て0.01μF

1.5V X3

EXT. P.S.
DC 12V

SUB KEY

D1 10D-1
D2 1N60
D3 -
D4 -
D5 -
D6 発光ダイオード

Q1 38K38 又は 35
Q2 -
Q3 -
Q4 -
Q5 28G1172
Q6 28A 719
Q7 28C 302
Q8 28A 719

C1 -
C2 -
C3 -
C4 -
C5 -
C6 11F
C7 -
C8 -
C9 -
C10 15V
C11 20K
C12 10μF
C13 10μF
C14 10μF
C15 10μF
C16 10μF
C17 10μF
C18 10μF
C19 10μF
C20 10μF
C21 10μF
C22 10μF
C23 10μF
C24 10μF
C25 220μF 16V

R1 10K
R2 10K
R3 10K
R4 10K
R5 10K
R6 10K
R7 10K
R8 10K
R9 10K
R10 10K
R11 10K
R12 10K
R13 10K
R14 10K
R15 10K
R16 10K
R17 10K
R18 10K
R19 10K
R20 10K
R21 10K
R22 10K
R23 10K
R24 10K

L1 10μH
L2 10μH
L3 10μH
L4 10μH
L5 10μH
L6 10μH
L7 10μH
L8 10μH
L9 10μH
L10 10μH
L11 10μH
L12 10μH
L13 10μH
L14 10μH
L15 10μH
L16 10μH
L17 10μH
L18 10μH
L19 10μH
L20 10μH

P1 10K
P2 10K
P3 10K
P4 10K
P5 10K
P6 10K
P7 10K
P8 10K
P9 10K
P10 10K
P11 10K
P12 10K
P13 10K
P14 10K
P15 10K
P16 10K
P17 10K
P18 10K
P19 10K
P20 10K
P21 10K
P22 10K
P23 10K
P24 10K

S 10K
S1 10K
S2 10K
S3 10K
S4 10K
S5 10K
S6 10K
S7 10K
S8 10K
S9 10K
S10 10K
S11 10K
S12 10K
S13 10K
S14 10K
S15 10K
S16 10K
S17 10K
S18 10K
S19 10K
S20 10K