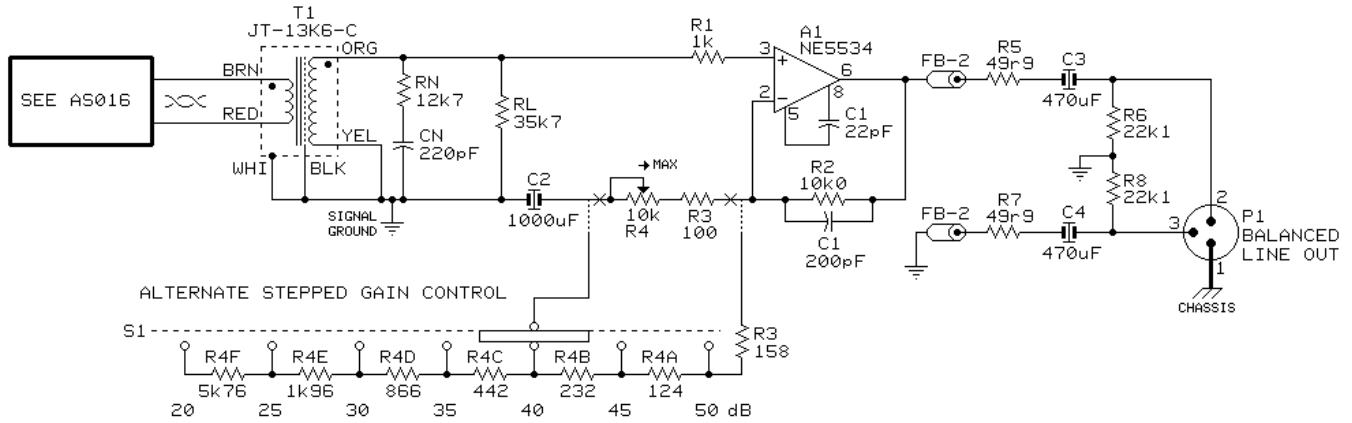


JT-13K6-C IN SIMPLE ONE IC STAGE MIC PREAMP

GAIN VARIABLE FROM 20 dB TO 53 dB



NOTES

ELECTROLYTIC CAPACITORS ARE PANASONIC BI-POLAR TYPES.

ALL RESISTORS ARE $\pm 1\%$ 1/4w METAL FILM TYPES, ROEDERSTEIN MK2-1 OR EQUIVALENT

ALL RESISTORS IN OHMS (12k7 = 12.7k, 49r9 = 49.9)

POTENTIOMETER R4 IS REVERSE LOG TAPER CONDUCTIVE PLASTIC TYPE

RN, CN, AND RL ARE SPECIFIED ON TRANSFORMER DATA SHEET

MOUNT R1 AS CLOSE AS POSSIBLE TO A1 TO PREVENT POSSIBLE SPURIOUS OSCILLATIONS

USE OF GOLD PLATED CONTACTS IN XLR CONNECTORS IS HIGHLY RECOMMENDED

TIGHTLY TWIST LEADS AS SHOWN ∞ IN PATH FROM J1 TO T1 TO MINIMIZE ELECTROMAGNETIC PICKUP

USE GOOD HIGH FREQUENCY CONSTRUCTION TECHNIQUES AND ADEQUATE POWER SUPPLY BYPASSING AT IC PINS. GROUND PLANE CONSTRUCTION IS HIGHLY RECOMMENDED

S1, IF USED, IS HIGH QUALITY SHORTING TYPE SWITCH

jensen	AS017
	09/13/95
7135 HAYVENHURST AVE. VAN NUYS, CALIFORNIA 91406 (818) 374-5857	